

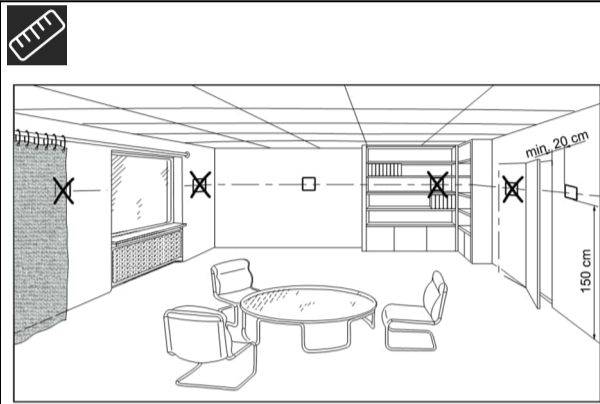
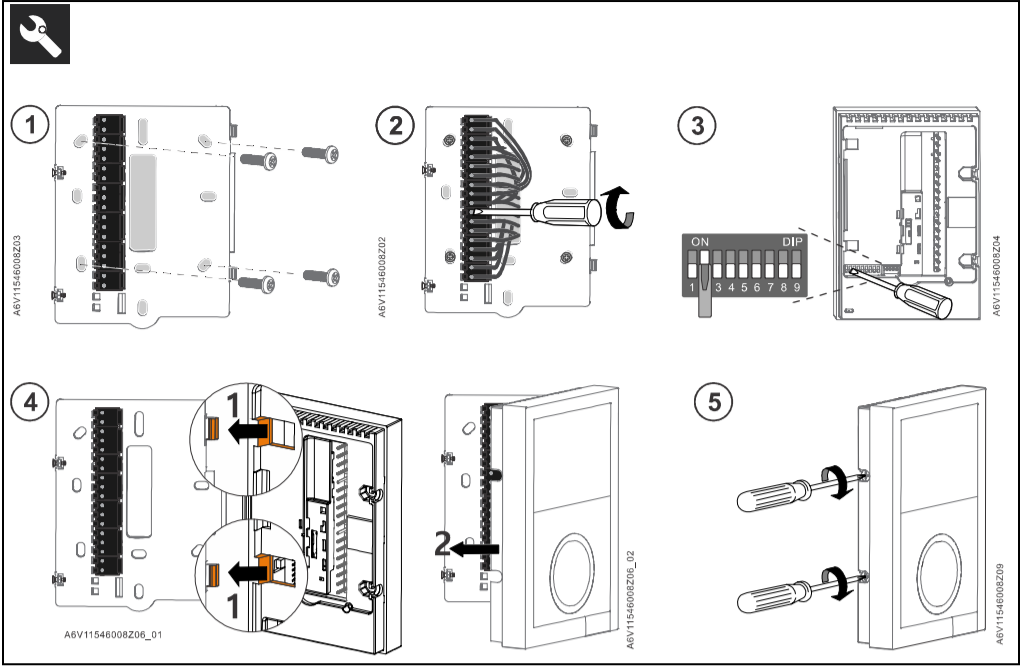


## RDG200T

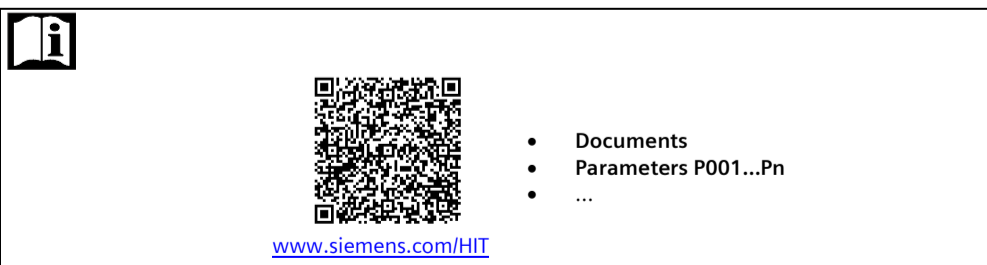
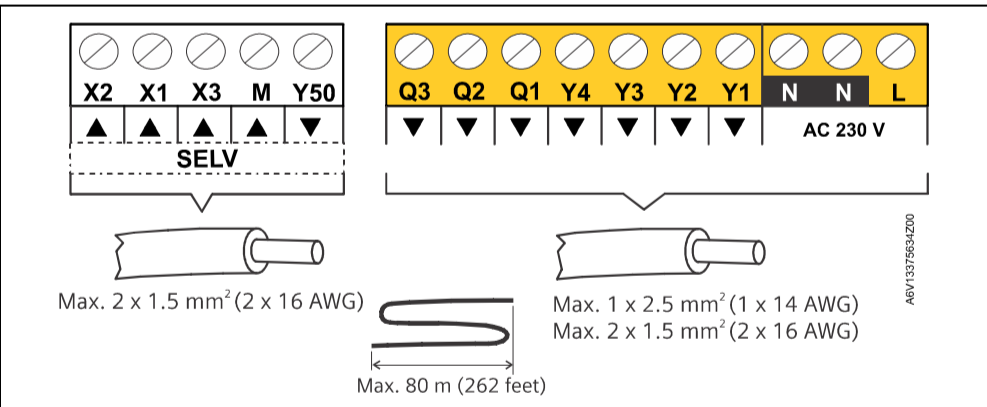
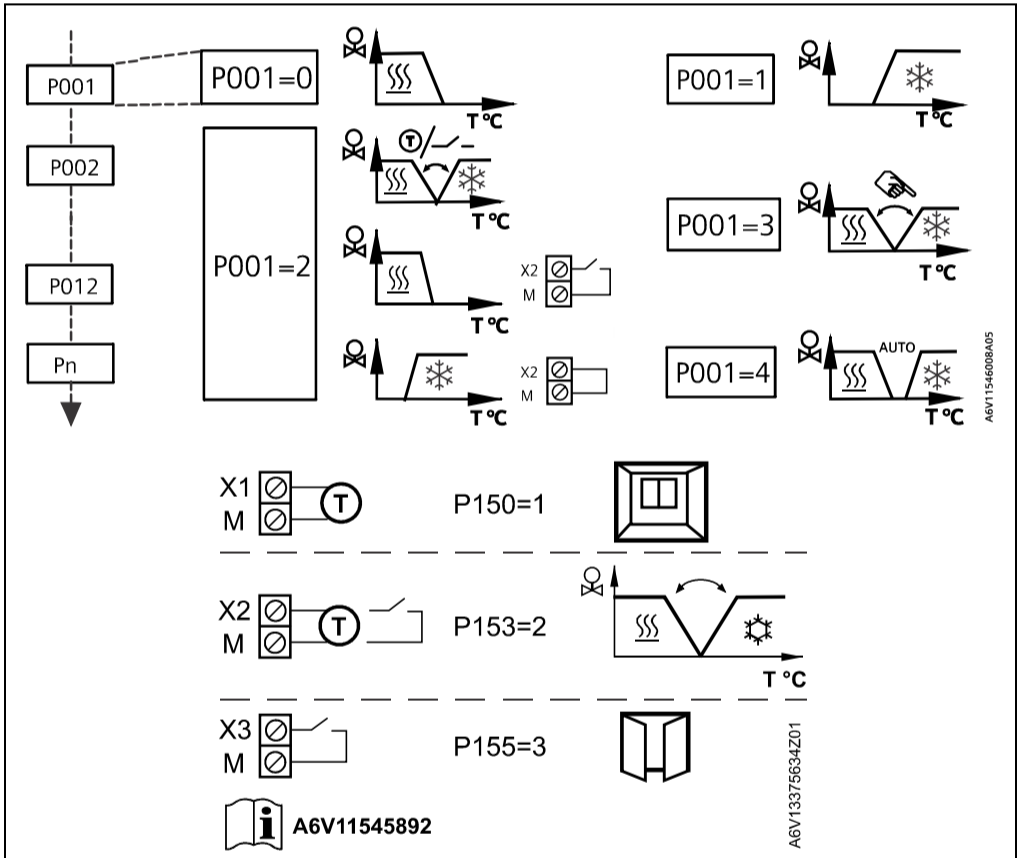
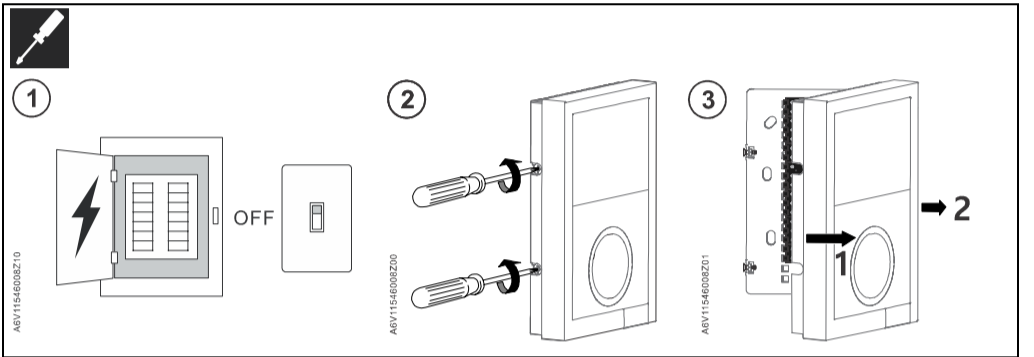
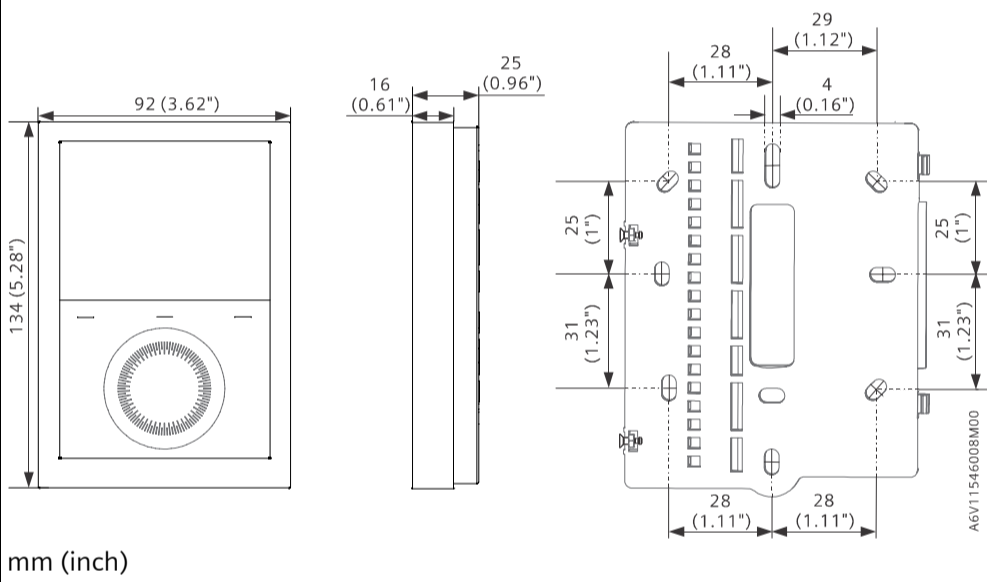


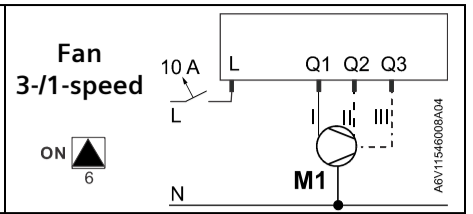
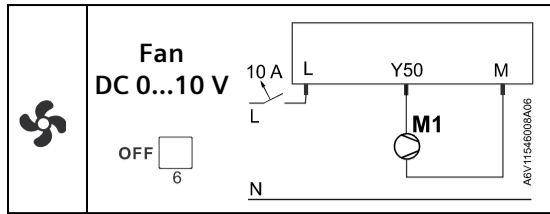
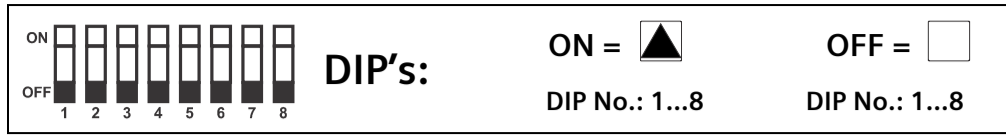
User manual, documentation and parameters  
[sid.siemens.com/home](http://sid.siemens.com/home)

- en Mounting instructions
- de Montageanleitung
- es Instrucciones de montaje
- fr Instructions de montage
- it Istruzioni di montaggio
- tr Montaj talimatları



- en Not on metallic surfaces
- de Nicht auf metallischen Oberflächen
- es No en superficies metálicas
- fr Pas sur surfaces métalliques
- it No su superfici metalliche
- tr Metalik yüzeylerde değil





**Fan coil**

**P350 = 0 (Disabled)**

**P350 = 0 (Disabled)**

Application	Outputs	
	V1	
<b>① 2-pipe</b> 		<b>2-pos (PWM)</b> 
		<b>3-pos</b> 

Application	Outputs					
	V1	V2	2-pos (PWM) 2-pos (PWM)	2-pos (PWM) 3-pos	3-pos 2-pos (PWM)	3-pos 3-pos
<b>② 2-pipe with electric heater</b> 						
<b>③ 2-pipe with radiator</b> 						
<b>④ 4-pipe</b> 						
<b>⑤ 2-pipe/2-stage</b> 						

Application				Outputs	
	V1	V2	V3		
<b>⑥ 4-pipe with electric heater</b> 				<b>3 x 2-pos (PWM)</b> 	<b>2-pos (PWM) 3-pos 2-pos (PWM)</b> 

FCU	en	de	es	fr	it	tr
①	2-pipe fan coil	2-Rohr Ventilator-konvektor	Fancoil a dos tubos	Ventiloconvecteur 2 tubes	Fan coil 2 tubi	2 borulu fan coil
②	2-pipe with electric heater	2-Rohranwendung & Elektroheizung	2 tubos & batería eléctrica	Application 2 tubes & batterie électrique	Fan coil 2 tubi con batteria elettrica	2 borulu & elk. Isıtıcı
③	2-pipe with radiator	2-Rohranwendung & Radiator	2 tubos & radiador	Application 2 tubes & radiateur	Fan coil 2 tubi e radiatore	2 borulu & radyatör
④	4-pipe fan coil	4-Rohr Ventilator-konvektor	Fancoil a 4 tubos	Ventiloconvecteur 4 tubes	Fan coil 4 tubi	4 borulu fan coil
⑤	2-pipe/2-stage	2-Rohr/2-stufig	2 tubos/2 etapas	2 tubes/2 étages	2-tubi / 2-stadi	2-borulu/2-kademe
⑥	4-pipe with electric heater	4-Rohranwendung & Elektroheizung	4 tubos & batería eléctrica	Application 4 tubes & batterie électrique	Fan coil 4 tubi con batteria elettrica	4 borulu fan coil & elk. Isıtıcı